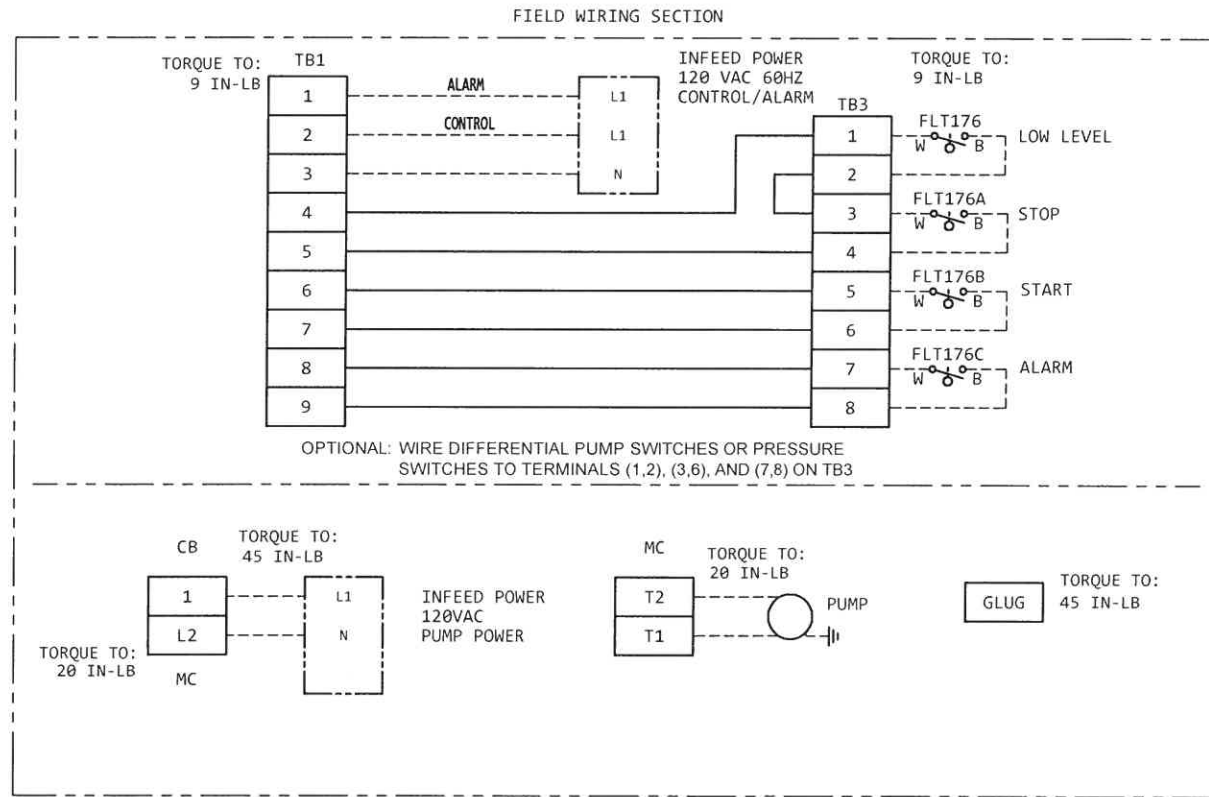
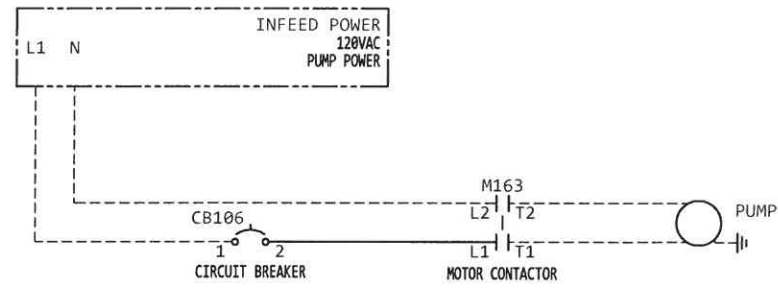
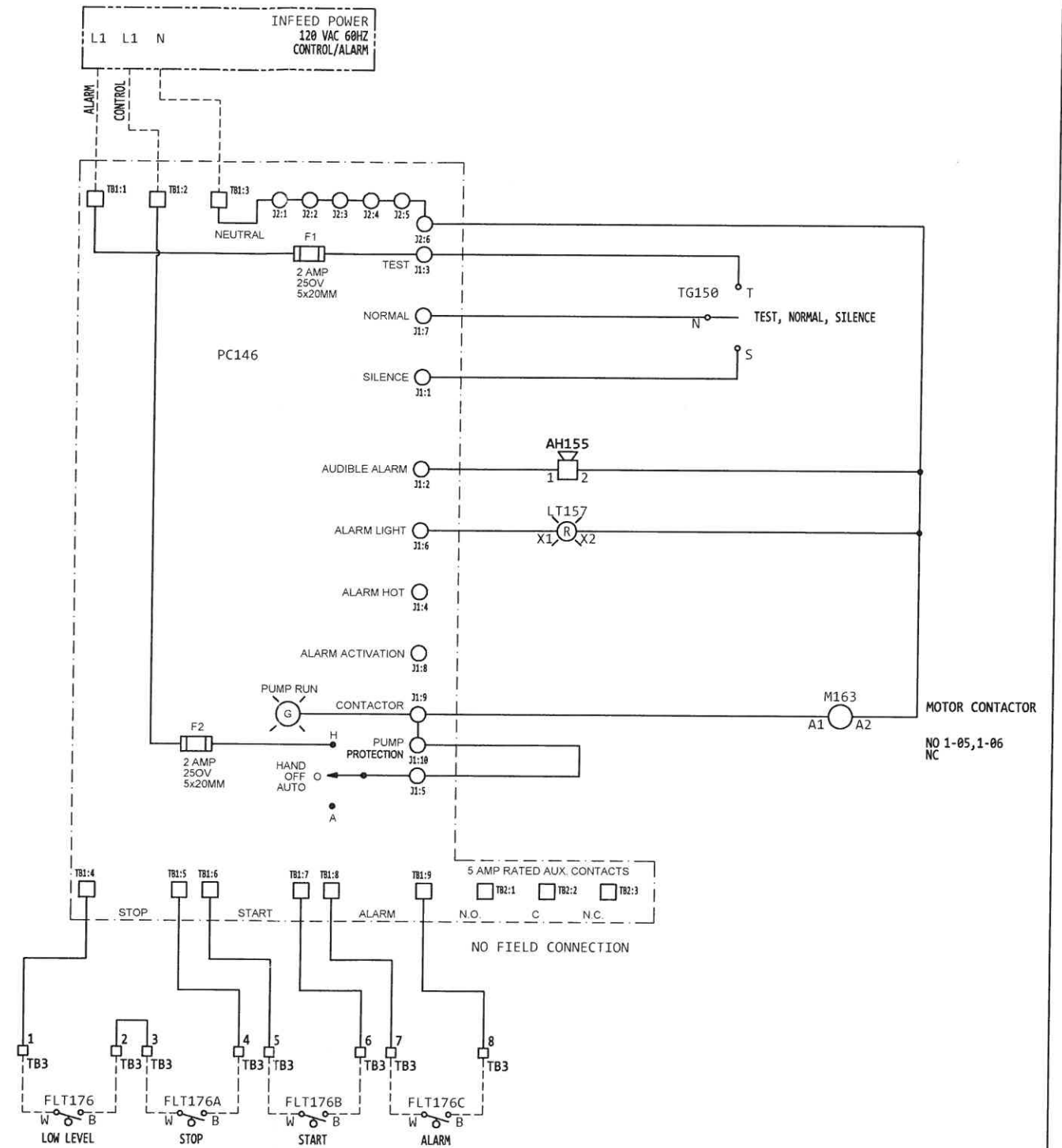


1-00
1-01
1-02
1-03
1-04
1-05
1-06
1-07
1-08
1-09
1-10
1-11
1-12
1-13
1-14
1-15
1-16
1-17
1-18
1-19
1-20
1-21
1-22
1-23
1-24
1-25
1-26
1-27
1-28
1-29
1-30
1-31
1-32
1-33
1-34
1-35
1-36
1-37
1-38
1-39



- NOTES:
1. FIELD WIRING IS SHOWN -----
 2. TEMPERATURE RATING OF FIELD INSTALLED CONDUCTORS MUST BE AT LEAST 140° F. (60° C.).
 3. FIELD WIRING WILL ACCEPT COPPER CONDUCTORS ONLY.
 4. CONNECT GROUND LUG IN PANEL TO A SECURE EARTH GROUND.
 5. THE USE OF SEPARATE POWER SOURCES FOR PUMP AND ALARM ARE RECOMMENDED.
 6. OVERLOAD PROTECTION, MAIN DISCONNECT AND OVER CURRENT PROTECTION OF INCOMING FEEDER CIRCUIT PROVIDED BY OTHERS AND MUST BE SIZED ACCORDING TO THE PUMP/MOTOR MANUFACTURER SPECIFICATIONS.
 7. INSTALLER MUST PROVIDE FOR THE CONTROL CIRCUIT AN INVERSE TIME CIRCUIT BREAKER NOT TO EXCEED 20 AMPS FOR BRANCH CIRCUIT PROTECTION.

1-40
1-41
1-42
1-43
1-44
1-45
1-46
1-47
1-48
1-49
1-50
1-51
1-52
1-53
1-54
1-55
1-56
1-57
1-58
1-59
1-60
1-61
1-62
1-63
1-64
1-65
1-66
1-67
1-68
1-69
1-70
1-71
1-72
1-73
1-74
1-75
1-76
1-77
1-78
1-79



ACTUAL MODEL NUMBER ORDERED
1121W914H4AD17A

THIS DRAWING CONTAINS PROPRIETARY INFORMATION WHICH MUST NOT BE DUPLICATED, USED, OR DISCLOSED IN WHOLE OR IN PART WITHOUT PRIOR WRITTEN CONSENT.

NO.	REVISION HISTORY	DATE	BY	DATE	APPR
A	N/A				

REV CNTR FOR: 1061676

CONFIDENTIAL - PROPERTY OF
SJE-Rhombus

WWW.SJERHOMBUS.COM

DRAWN BY JJ DATE 12/13/18
APPROVED BY ACB DATE 12/13/18

IFS DESCRIPTION
LIT, RH, SCHEM (SEE ABOVE)

PROJECT NUMBER
1061676

SHEET NUMBER
1 OF 1

REV
A